

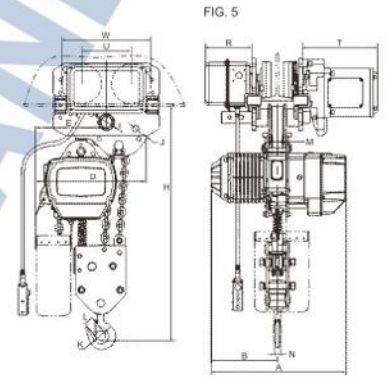
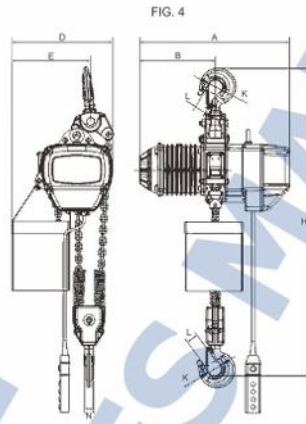
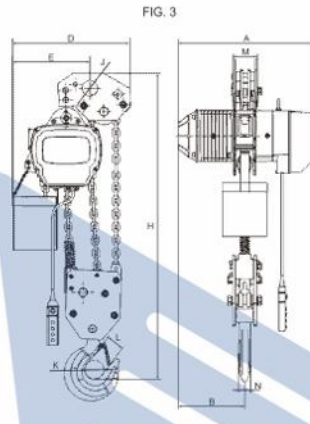
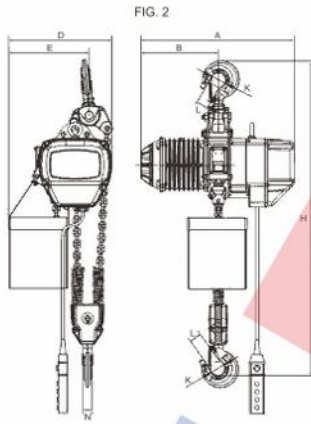
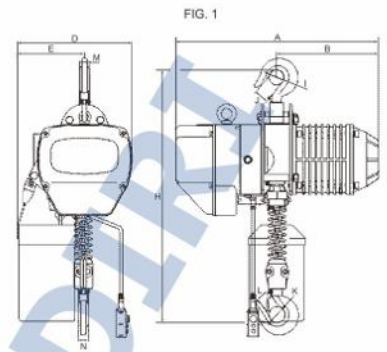
# HINATSU

*Electric Chain Hoist*



# TECHNICAL PARAMETERS

Type	Capacity (Ton)	Lifting Speed (m/min)	Lifting Motor, 3Ph, 380V, 50Hz		
			Power (Kw)	Rotation Speed	Chain
SSDHL-01-01	1	6.8	1.5	1440	Φ7.1 X 1
SSDHL-02-02	2	3.4	1.5	1440	Φ7.1 X 2
SSDHL-02-01	2	6.6	3.0	1440	Φ10 X 1
SSDHL-03-03	3	2.3	1.5	1440	Φ7.1 X 3
SSDHL-03-01	3	5.4	3.0	1440	Φ11.2 X 1
SSDHL-05-02	5	2.8	3.0	1440	Φ11.2 X 2
SSDHL-7.5-03	7.5	1.8	3.0	1440	Φ11.2 X 3



## SIZE SPECIFICATIONS

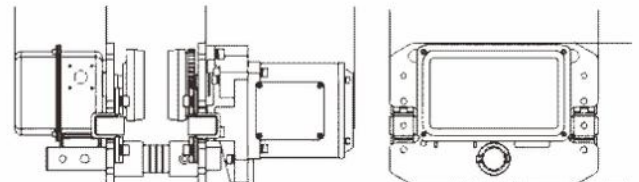
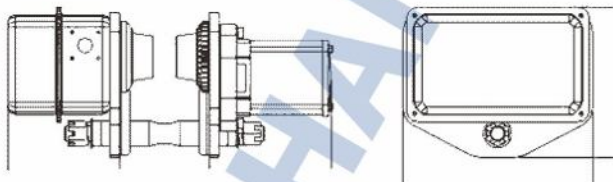
Type	Capacity (Ton)	Unit (mm)														Ket	
		H	A	B	D	E	I	J	K	L	M	N	W	U	R		T
SSDHL-01-01	1	600	520	260	300	176	Φ40	31	Φ40	31	24						Fig 1
SSDHL-02-02	2	750	520	260	300	230			Φ49	35	30						Fig 2
SSDHL-02-01	2	770	615	295	430	265	Φ36		Φ49	40	30	237	127	142	231		Fig 1
SSDHL-03-03	3	920	520	260	350	280	Φ43	Φ43	Φ59	42	35						Fig 3
SSDHL-03-01	3	830	615	295	430	265	Φ43		Φ59	48	35	265	140	142	231		Fig 1
SSDHL-05-02	5	1030	620	310	430	325			Φ60	45	43						Fig 4
SSDHL-7.5-03	7.5	1200	620	310	500	320	Φ70	Φ37	Φ90	70	85	50	366	191	142	231	Fig 5

## MT MONORAIL TYPE MOTORIZED TROLLEY

## SPECIFICATIONS & DIMENSIONS (MM)



Type	Capacity (Ton)	Unit (mm)				Speed 50Hz (m/min)	Motor (Kw)	Minimum radius of turn	I-Beam (mm)
		A	B	R	T				
DPC - 01	1	196	248	142	159	11	0.4	0.8	52 - 153
DPC - 02	2	325	220	142	231	11	0.4	0.8	82 - 178
DPC - 03	3	340	250	142	231	11	0.75	1.0	100 - 178
DPC - 05	5	400	291	142	231	11	0.75	1.8	100 - 178
DPC - 7.5	7.5	400	291	142	231	11	0.75	1.8	100 - 178
DPC - 10	10	500	370	142	231	11	0.75	2.5	150 - 220



## PT HANEDA SUKSES MANDIRI

**Head Office:**  
 Jl. Rungkut Industri IV / 28, Surabaya 60293  
 P: 031.8484.700 | F: 031.8484.200 | E: info@haneda.co.id

**Branch Office:**  
 Komp. Eraprima H-16, Daan Mogot Km 21, Tangerang  
 P: 021.2966.3000 | F: 021.2966.3119

[www.haneda.co.id](http://www.haneda.co.id)

Dealer: